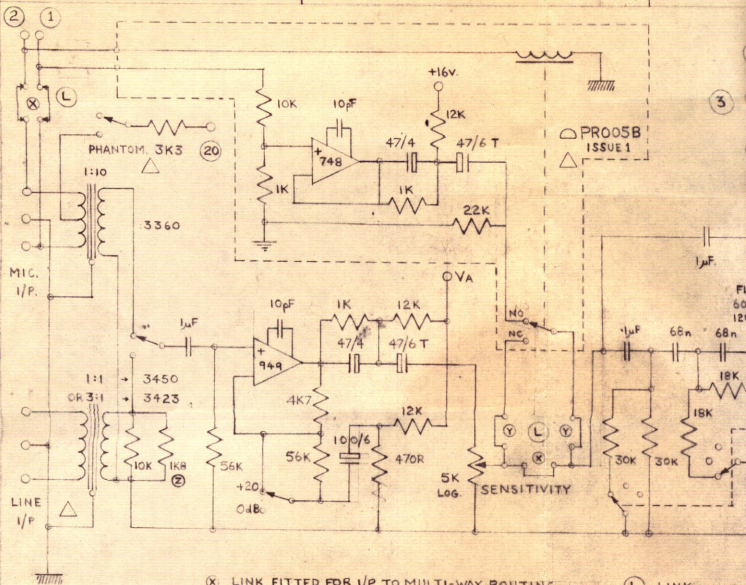


MIDAS AMPLIFICATION

MODULAR MIXER SYSTEM



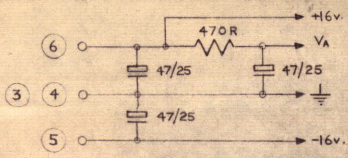
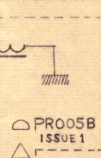
- ⊗ LINK FITTED FOR I/P TO MULTI-WAY ROUTING
- ⊙ LINK
- ⊕ " " " AUTO RE-MIX " "
- △ OPTIONAL
- Ⓜ ON 3:1 TRANSFORMER ONLY.
- Ⓡ RED Ⓢ GREEN
- Ⓜ P.C.B REF.

EDGE CONNECTOR PIN DESIGNATION.

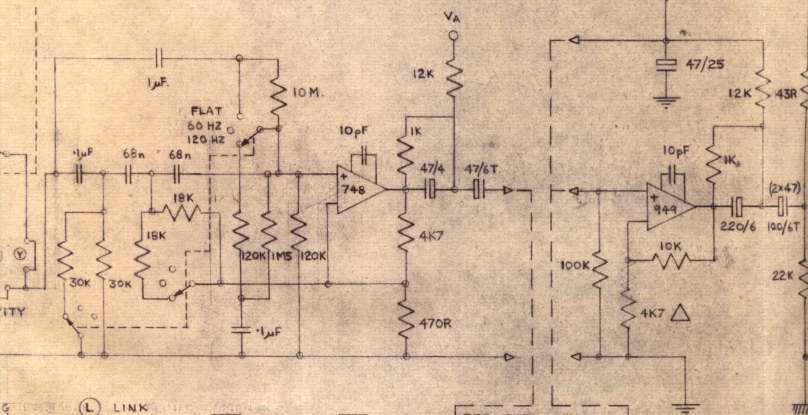
Pin	Description	Pin	Description
1	MIC. I.P. COLD (P.R.) REMIX CONTROL I.P. (S.R.)	14	O.P. 2
2	MIC. I.P. HOT (P.R.) REMIX I.P. (S.R.)	15	O.P. 3
3	SUMMING EARTH	16	O.P. 1
4	" "	17	O.P. 5
5	-16 V.	18	O.P. 6
6	+16 V.	19	P.F.L.
7	FOLDBACK O.P. 1	20	PHANTOM
8	" " 2	21	DIRECT O.P.
9	O.P. 7	22	PRE-FADE INSERT SEND.
10	ECHO O.P. 1	23	" " " RTN.
11	ECHO O.P. 2	24	OV. OUTPUT
12	O.P. 8	25	" "
13	O.P. 4		

SYSTEM

REF.



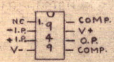
(22)
INSERT
SEND



(L) LINK

△ OPTIONAL

○ P.C.B REF.



REF. CCT.
PRO03B & PRO05 EQ.
○ PRO03B ISSUE 1
△ PRO05C ISSUE 2

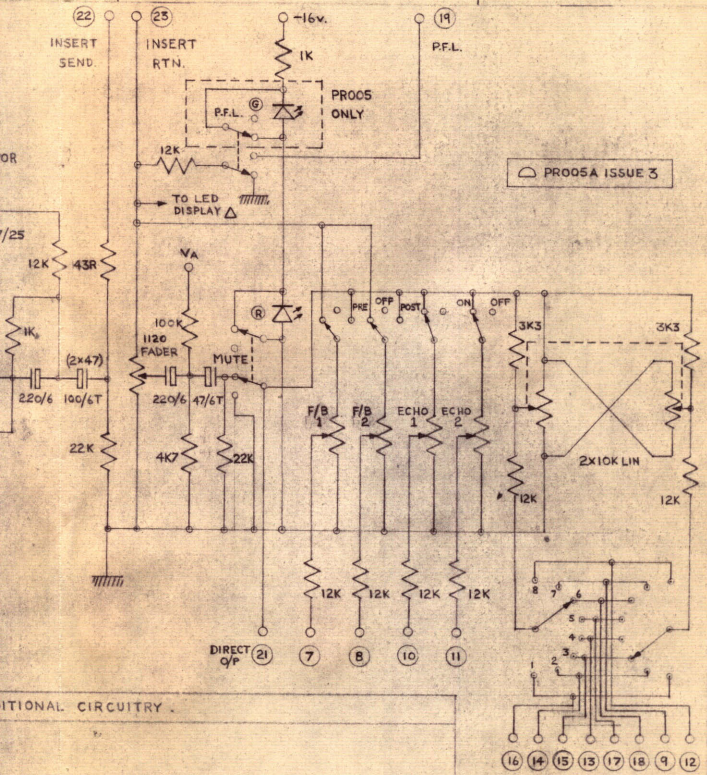
MODIFICATIONS.

ADDITIONAL CIR

SEND.
RTN.

INPUT MODULE

PRO03B/5



ADDITIONAL CIRCUITRY.